

FEATURES

- 9 Buss bar solar cell configuration
- Lightweight anodized aluminum frame
- High transmission, AR (anti-reflective) coated tempered glass
- Plug and play junction box Industry standard quick connect cables (MC4) work in series or in parallel
- Highly reliable due to stringent quality control (Over 30 in-house tests (UV, TC, HF, and many more), PID resistant, 100% EL double inspection)
- Certified to withstand challenging environmental conditions (2400 Pa wind load, 5400 Pa snow load, 35 mm hail stones at 97 km/h)
- Excellent low light performance on cloudy days, mornings and evenings

INSTALLATION

- Easy installation and handling for various applications (high-end off-grid and mobile applications)
- Pre-drilled holes compatible with ground mounts, Z brackets, pole mounts and tilt mounts
- Compatible with on-grid and off-grid inverters

WARRANTY

- 25 year limited power output



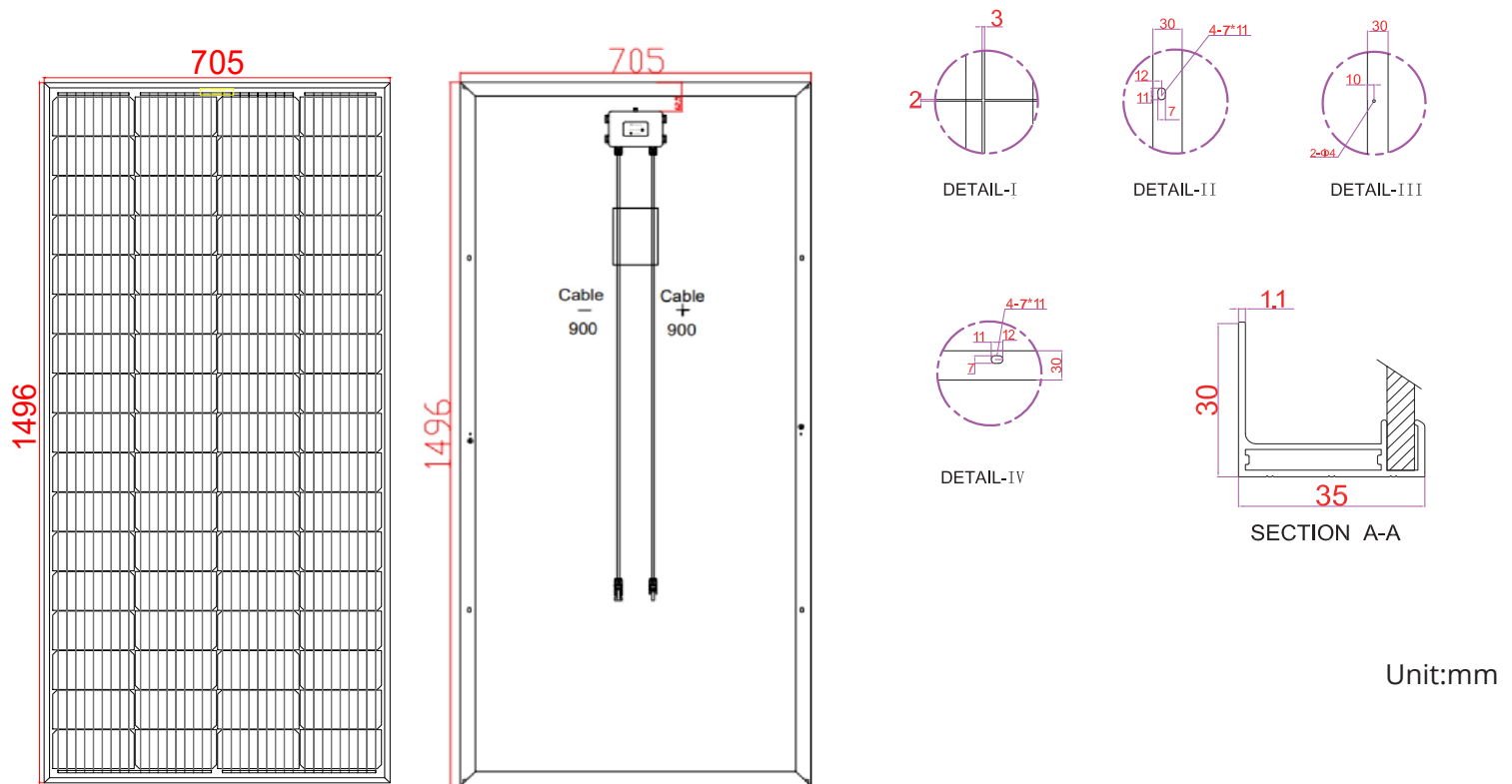
Model Type	HY200-24M
Peak Power Watts- P_{MAX} (Wp)	200 W
Power Output Tolerance- P_{MAX} (W)	0~+5 W
Maximum Power Voltage- V_{MPP} (V)	38.6 V
Maximum Power Current- I_{MPP} (A)	5.15A
Open Circuit Voltage- V_{oc} (V)	45.6V
Short Circuit Current- I_{sc} (A)	5.45 A
Cells Efficiency η_m (%)	23%
STC: Irradiance 1000W/m ² , Cell Temperature 25°C, Air Mass AM1.5	
NOCT (Nominal Operating Cell Temperature)	45°C (±2°C)
Temperature Coefficient of P_{MAX}	-0.39%/°C
Temperature Coefficient of V_{oc}	-0.29%/°C
Temperature Coefficient of I_{sc}	0.05%/°C
Operational Temperature	-40~+90°C
Maximum System Voltage	600VDC
Maximum Series Fuse Rating	15A

Power Your Green Life!

MECHANICAL CHARACTERISTICS & PACKAGING

Solar Cells	Monocrystalline 166 × 83 mm
Cell Orientation	68 cells (4 × 17)
Module Dimensions	58.89 × 27.75 × 1.4 inches (1496 × 705 × 35 mm)
Weight	24.7lb (11.2 kg)
Glass	3.2 mm (0.13 inches), High Transmission, AR Coated Tempered Glass
Backsheet	PET
Frame	Anodized Aluminium Alloy
Junction Box	IP 65 or IP 67 rated
Cables	Photovoltaic Technology Cable 4.0mm ² (12AWG), 35 inches (900 mm) Length
Connector	MC4

DIMENSIONS



Power Your Green Life!