

# HY150-12MT

## 150 W N-Type Bifacial Solar Panel

**25.4%**

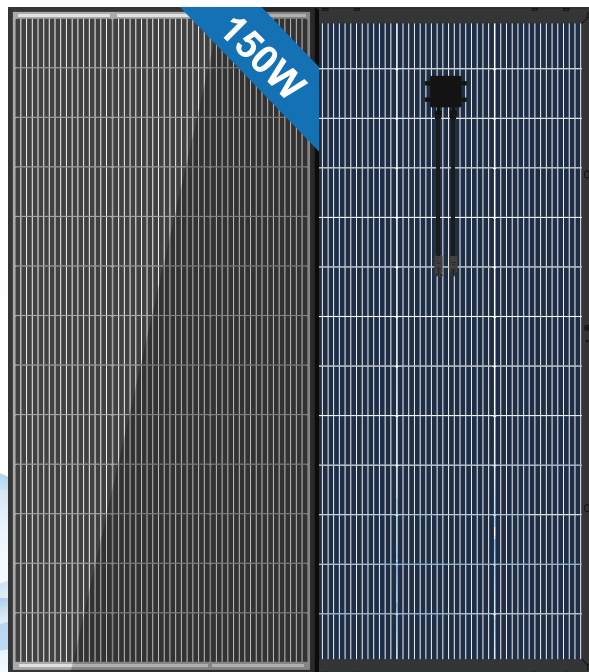
Maximum Cell Efficiency

**150W**

Maximum Power Output

**0~+5W**

Positive Power Tolerance



### Maximum Efficiency

N-Type TOPCon multi-busbar cell technology improves light trapping, reduces series resistance, and enhances current collection.

High-transmission, AR-coated tempered glass maximizes sunlight capture while ensuring long-term durability.

Superior low-light performance and a low temperature coefficient maintain strong output in varied weather conditions.

### Easy Installation

Plug-and-play solar connectors support both series and parallel configurations.

Lightweight, corrosion-resistant anodized aluminum frame allows for easy handling and extended lifespan.

Pre-drilled holes support flexible mounting options such as ground mounts, Z-brackets, poles, and tilt systems.

Ideal for high-end off-grid systems and mobile setups including RVs, cabins, and boats.

Designed for compatibility with existing mainstream optimizers, inverters, and mounting systems.

### Proven Reliability

Delivers consistent energy production even on cloudy days or during mornings and evenings.

Innovative non-destructive cutting technology minimizes micro-cracks for enhanced durability.

PID resistance is ensured through advanced cell processing and premium module material control.

Built to withstand harsh environments including salt, ammonia, sand, high temperatures, and high humidity.

Mechanical strength certified up to 5400 Pa positive load and 2400 Pa negative load.

### Exceptional Value

Delivers higher performance, greater savings, and long-term satisfaction. Protected by a 25-year limited product warranty.

Backed by a 25-year performance warranty guaranteeing minimal power degradation over time.



# HY150-12MT

150W N-Type Bifacial Solar Panel

## Electrical Data

Maximum Power at STC*	150 W
Optimum Operating Voltage ( $V_{mp}$ )	23.4 V
Optimum Operating Current ( $I_{mp}$ )	6.7 A
Open Circuit Voltage ( $V_{oc}$ )	27.3 V
Short Circuit Current ( $I_{sc}$ )	7.04 A
Module Efficiency	25.4%
Maximum System Voltage	1000 VDC
Maximum Series Fuse Rating	30A

## Mechanical Data

Solar Cell Type	N-Type TOPCon Monocrystalline 7.17 × 3.62 in (182.2 × 91.9 mm)
Number of Cells	39(3 × 13)
Dimensions	1262 x 579.6 x 35 mm / 49.69 x 22.82 x 1.38in
Weight	7.67kg/16.91lbs
Front Glass	Tempered Glass 0.13 in (3.2mm)
Frame	Anodized Aluminum Alloy Black
Connectors	MC4 Connectors
Fire Performance	Type 1

## Thermal Characteristics

OperatingTemp. Range	-40°C - 85°C(-40°F - 185°F)
Nominal Operating Cell Temperature (NOCT)	45±2°C
Temperature Coefficient of Pmax	-0.32%/°C
Temperature Coefficient of Voc	-0.26%/°C
Temperature Coefficient of Isc	-0.046%/°C

## Solar Connectors

Rated Current	30 A
Maximum Voltage	1000 VDC
Maximum AWG Size Range	12 AWG
Temperature Range	-40°C -85°C(-40°F - 185°F)
IP Rating	IP 67

## Junction Box

IP Rating	IP 67
Number of Diodes	2 Diode(s)
Output Cables	12 AWG 900mm(35.4in)

## Warranty

**5 YEARS PRODUCT WARRANTY**

**25 YEARS OUTPUT GUARANTEE**



RV



Monitor

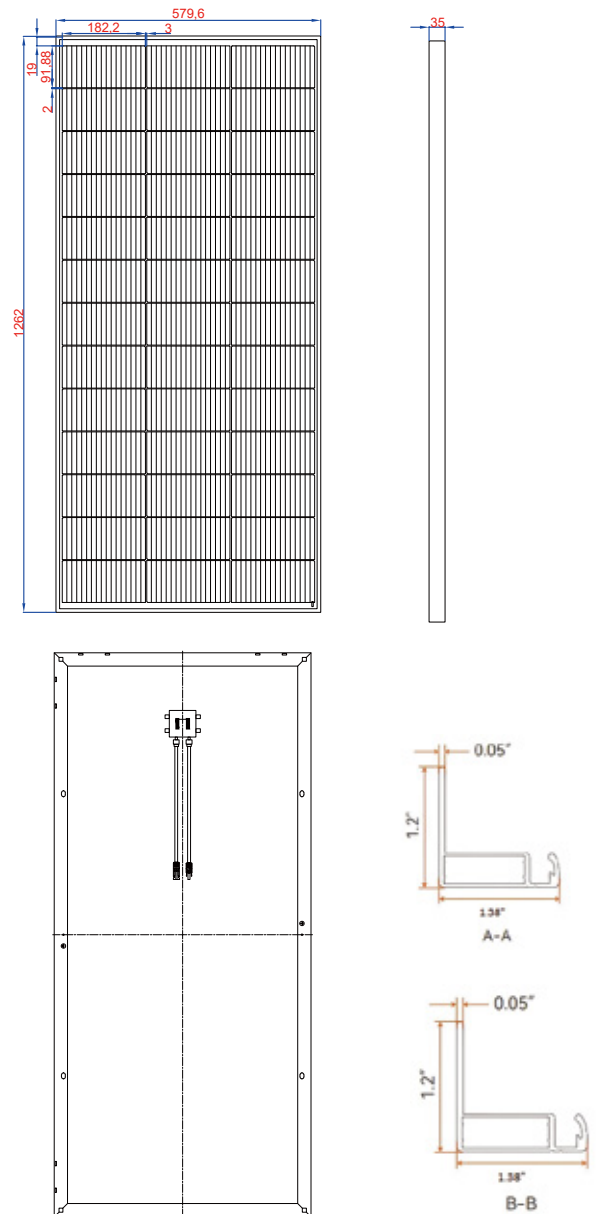


Cabin



Truck

## Module Diagram



## IV-Curve

