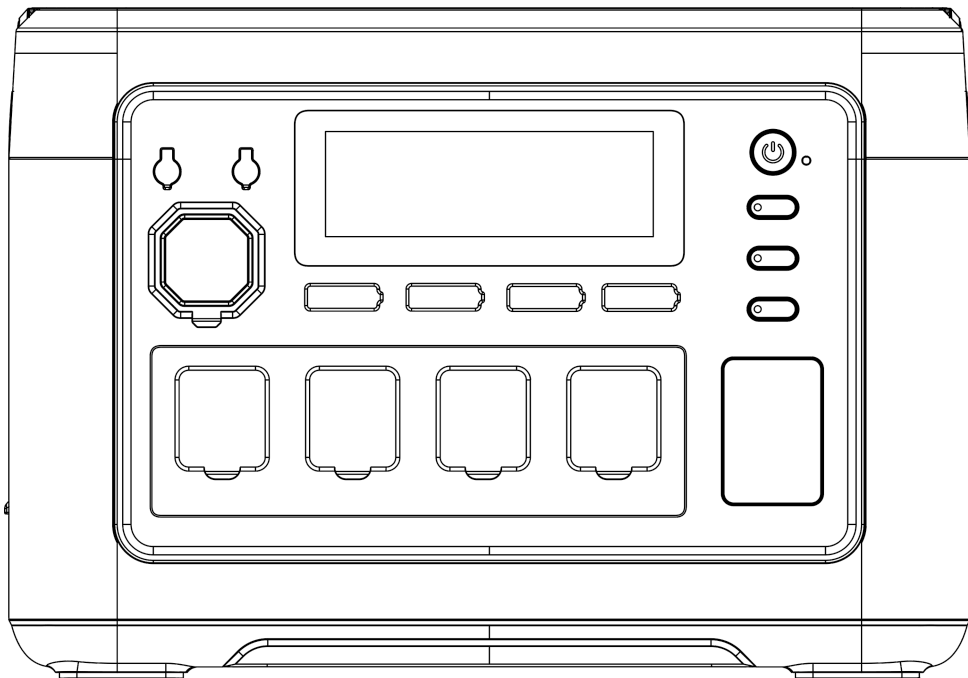


Outdoor Generator

User Manual

PORTABLE POWER STATION



We deeply appreciate you for purchasing the P1000PLUS Portable Energy Storage Power Supply.

Be sure to read this book carefully before using the product to ensure you use it correctly.

The book is required for product reimbursement. Consequently, it is advisable to keep it alongside the invoice and other purchase certificates.

To guarantee the safety of this product during transportation, it is only about 30% charged when it is packed. As such, you are required to charge it immediately after opening and before use.

Please avoid the use of extension cords or cable taps, as this product can be charged directly from wall sockets etc. When charging this product with a socket, do not use the same socket as other devices.

P1000PLUS (US) V1.1

Content

Disclaimers -----	1
Packing List -----	2
Precautions for use -----	2
Specifications -----	3
Product Description -----	3
Screen Display Precautions -----	7
UPS mode -----	8
UPS connection diagram -----	8
Solar panel connection solution -----	9
Onboard charging -----	10
Product Parameters -----	11
FAQ -----	12
Maintenance -----	14

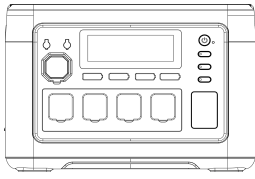
Disclaimers

Before using the product, please read the user manual carefully to ensure that you fully understand it before use. After reading, please keep the user's manual in a safe place for future reference. If you use this product incorrectly, you may cause serious injury to yourself or others, as well as product damage and property damage.

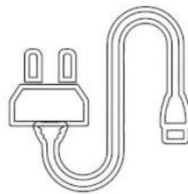
Once you use this product, you can be deemed to have understood, recognized and accepted all the terms of this manual. Users undertake responsibility for their own actions and all the consequences that may arise therefrom.

Our company does not assume any responsibility for any loss caused by users' failure to use the product in accordance with the User Guide. In order to comply with laws and regulations, the company has the final interpretation of this document and all related documents of this product.

Packing List



Portable Energy Storage
Power Supply



AC power cord



MC4-XT60




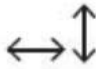

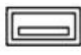





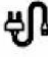



User Guide

Precautions for use

1. Please avoid high temperature and humidity. Please avoid using the product in direct sunlight and or near a fire.
2. Please be sure not to disassemble or modify the product, as it may cause malfunction or even a fire.
3. Please dispose off or recycle the product in accordance with the methods stipulated by local laws.
4. Be careful not to drop the product from a high place or expose it to any form of strong impact.
5. Please store or use the product out of the reach of children.
6. Please use the company's genuine products for the accessories. Customers who use non-genuine products and suffer adverse consequences as a result, cannot enjoy free maintenance.
7. When using this product, please do not interfere with the cooling of the product, please empty the ventilation space of more than 30CM from the side suction and exhaust port.
8. When the product is not in use, please put the body power off and unplug the power cord. Please avoid storing the product in a place with high temperature, high humidity and direct sunlight.
9. If you need to store the product for a long period of time, please make sure to deplete the charge once every 3 months, and then recharge it to about 50%.
10. If there is any doubt that the product body, the auxiliary line and the connecting equipment are defective, please do not continue to use the product. Instead, contact the after-sales personnel to solve the problem in time.
11. Please do not store the product for a long time in the car or field warehouse or other places that may experience extreme high and low temperature, to prevent the battery life from shortening amongst other failures.
12. The limitation of medical equipment: This product does not assume the power supply of medical equipment. They include medical ventilators (CPE for hospitals) or artificial lungs (ECMO: extracorporeal membrane oxygenator). When using this product to other medical devices, please make sure that there is no restriction on the use of external power supply in consultation with the manufacturer beforehand.
13. Power supply products may generate electromagnetic fields when they are used, and may affect normal operation of medical implants such as pedicles, cochlear implants, hearing aid defibrillators, and personal medical devices. If you are using these medical devices, please contact us about the restrictions on the use of this product. The basic measures are to ensure a sufficient range of medical implants, such as a medical implant, a cochlear implant, a hearing aid and a defibrillator.

Specifications

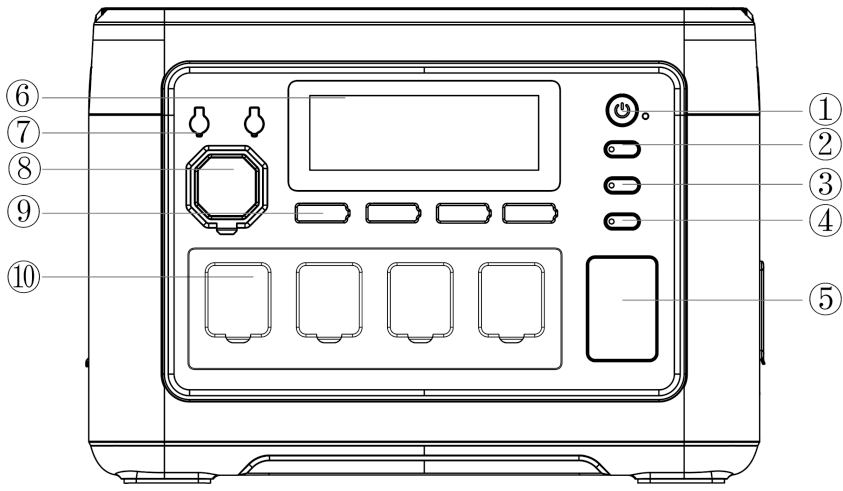
 Capacity	 Cycle life	 Weight	 Size	 Cigar Lighter*1
LiFePo4 51.2V	≥4000	11.6KG	L346*W228*H238mm	12V/10A
 USB-A*2	 USB-C*1	 USB-C*1	 DC5521 Output*2	 LED Light
QC3.0 18W	PD-20W	PD-100W	12V/3A	1W
 AC			 AC Input	 PV/DC Input
1800W AC120V 50/60HZ			AC Input 120V/1200W	PV/DC Input 12V-50V/11A 500W(MAX)

Product Description

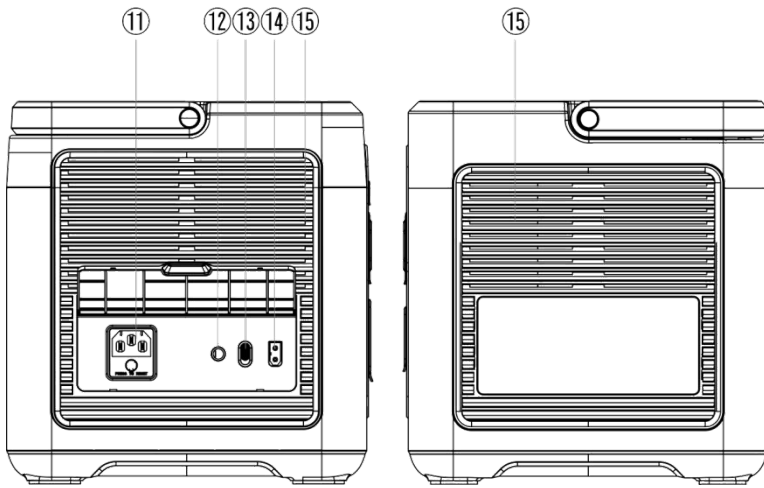
This product is a portable power station, suitable for home emergency power backup, outdoor travel, and emergency disasters that require power. In addition, it can also be used for outdoor work, amongst other applications.

This product has built-in lithium iron phosphate battery, which supports AC fast charging, vehicle charging, and solar photovoltaic panel charging. (This product has UPS function, and when the utility power fails, it can be switched on within 10ms for this product to supply power to electric equipment.)

The AC output of this product is pure sine wave waveform, and can manually be converted from 50HZ to 60HZ to provide better protection for electrical appliances.



- ① Power switch
- ② DC switch
- ③ AC switch
- ④ LED light switch
- ⑤ LED light
- ⑥ LCD screen
- ⑦ DC5521
- ⑧ Cigar Lighter
- ⑨ USB-A/Type-C
- ⑩ AC Output port





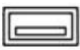


- ⑪ AC charging port /Overload protection button
- ⑫ External grounding port
- ⑬ AC fast/slow charge adjustment switch
- ⑭ PV/Car input port
- ⑮ Cooling air inlet/ outlet

① Power switch

Use: Press and hold the power button for 3S to turn on the power the system, turn on the LCD display, and press and hold it again for 3S to turn off the power system.

② DC switch

Use: Short press the DC button to turn on the DC output port in the power-on state, and short press it again to close it.

				
Cigar Lighter*1	DC5521 Output*2	USB-A*2	USB-C*1	USB-C*1
12V/10A	12V/3A	QC3.0 18W	PD-20W	PD-100W

③ AC switch

AC switch(AC output port*4, the total electrical power load should be less than 1800W).

Use: Short press the AC button to open the AC output port in the power-on state, and short press it again to close it.

1. AC output voltage and frequency standards vary in different countries. Please check the AC voltage and frequency of the equipment before use.
2. Press the AC button and LED button at the same time to switch the frequency between 50Hz or 60Hz within 3 seconds.
3. By pressing the AC button 10 times in a row, the AC output voltage can be switched in 100V/110V/120V.

④LED switch ⑤LED light

Usage: Short press the LED button to turn on the constant light mode when turned on, short press the LED button again to turn on the SOS mode, and short press the LED button again to turn on the flashing mode.

1. Long press the LED switch to turn on the silent mode, and then long press the LED switch again to turn off the silent mode.

⑥LCD screen

Display the power and usage status of the product.

⑦DC5521

Output: 12V/3A

⑧Cigarette Lighter

Output: 12V/10A

⑨USB-A/Type-C

USBQC3.0	(5-12V18W)*2
Type-C	(5-12V20W)*1
Type-C	(5-15V/3.0A;20V/5A 100W)*1

⑩AC Output port

Output: 120V/1800W, 50/60Hz, pure sine wave

⑪AC charging port/Overload protection button

Please use the standard AC charging cable to connect the mains power to the AC charging port to charge this product. Before using the AC port to charge, make sure the AC voltage and frequency of the device are consistent with the mains power.

If the power voltage supply is unstable due to lightning or other reasons, or there is a large voltage input at the AC terminal, in order to protect this product, the overload protection function (safety circuit breaker) will automatically activate and disconnect the AC input port from the external device. Please follow the steps below to restore the AC input function of this product.

1. Turn off the power button and unplug all devices connected to the ports.
2. After confirming that there are no abnormalities in all parts, turn on the power button.
3. Press the overload protection button and connect the AC line to restore the AC input.

⑫External ground port

If necessary, users can choose a grounding wire to connect the product to the earth. The product does not perform grounding processing by default unless it is in special scenarios.

⑬AC fast/slow charge adjustment switch

When the fluctuation switch is set to AC fast charging mode, it is necessary to ensure that the output voltage of the power supply equipment meets 100-120V. When the output voltage of the charging device is 100-120V, the maximum charging power is 1200W.

When the fluctuation switch is set to AC slow charging mode, it is necessary to ensure that the output voltage of the power supply equipment meets 100-120V. When the output voltage of the charging device is 100-120V, the maximum charging power is 500W.

⑭PV/Car input port

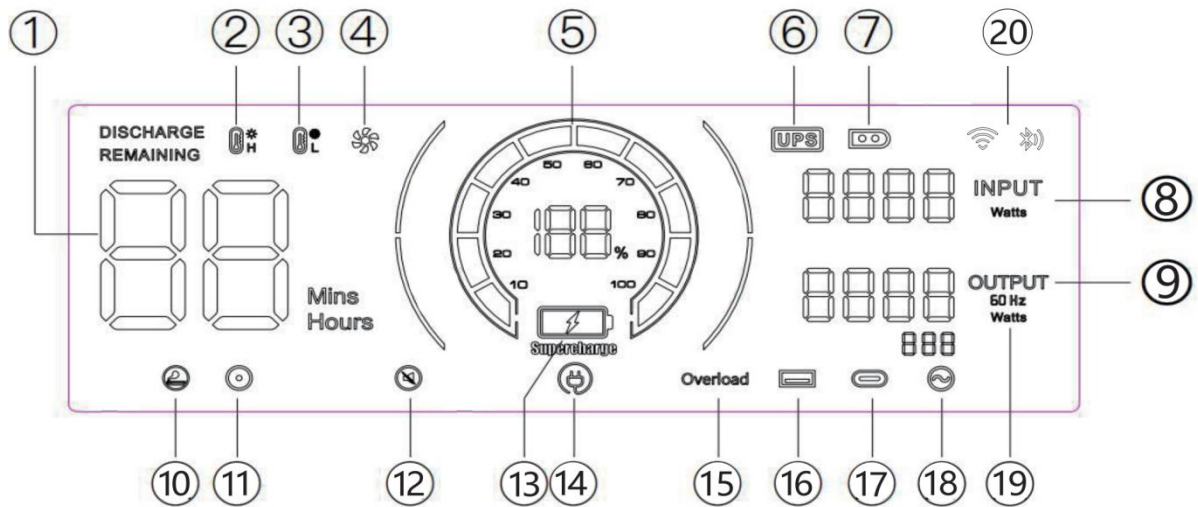
Use the standard PV/Car port charging cable to connect the solar panel to charge this product.

1. The input of the solar panel can be up to 500W and the maximum voltage is 50V.
2. If the PV/Car input port is charged with a voltage higher than 50V, it will cause product damage and this fault is not covered by the warranty.

⑮Cooling air inlet/air outlet

When this product reaches a certain temperature during use, the cooling fan will automatically run. When using this product, do not block the cooling air inlet/outlet, and ensure that no objects are placed within 30cm of the cooling air inlet/outlet.

Introduction to Display Interface



- | | | |
|---------------------------------|-------------------------------|------------------------------|
| ① Using time/ charging time | ② High temperature protection | ③ Low temperature protection |
| ④ Fan status | ⑤ Power status | ⑥ UPS mode |
| ⑦ PV charging mode | ⑧ Total input power | ⑨ Total output power |
| ⑩ Cigarette lighter(12V) output | ⑪ DC(12V) output | ⑫ Silent mode |
| ⑬ Fast charging mode | ⑭ Slow charging mode | ⑮ Overload protection |
| ⑯ USB output | ⑰ PD output | ⑱ AC output |
| ⑲ Frequency Switching | ⑳ WIFI/ Bluetooth | |

Screen Display Precautions



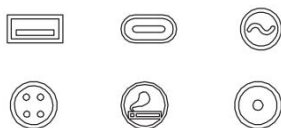
When this icon is on, please ensure that the air inlet on both sides of the product is not blocked.



When the indicator icon flashes, it means that the internal temperature of the machine is too high or too low. At this time, the device has turned on the intelligent protection program and the machine has stopped working normally. (You need to wait for the machine to return to normal temperature before you can start working again)



This icon flashes, indicating that the corresponding port output is abnormal. Please check the load.



When this icon is flashing, it means the corresponding port output is abnormal, please check the load situation.



When this icon is flashing, it means the product has entered silent mode.

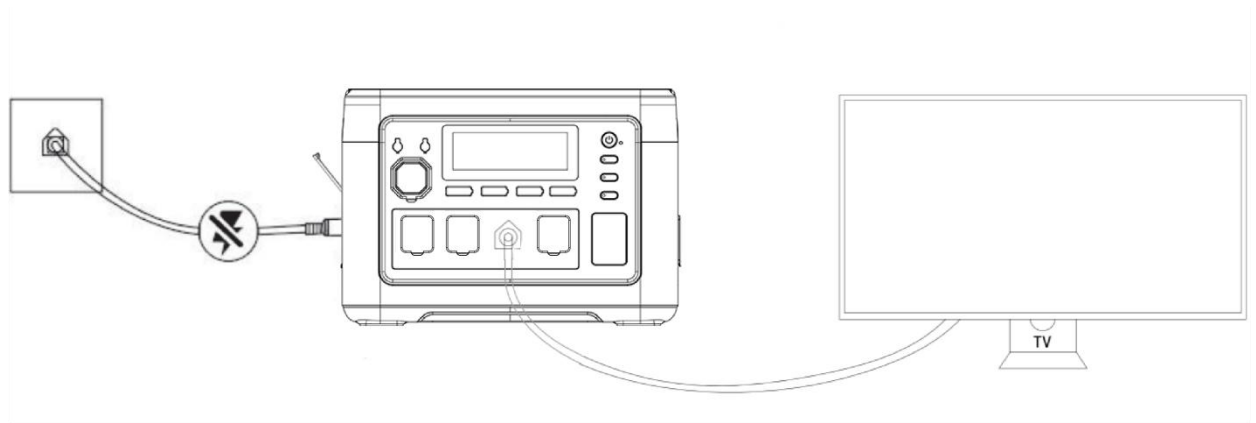
UPS mode

The product has a bypass mode that can complete the output directly from AC power without the need to pass through the battery.

In UPS mode, when the city's AC input is suddenly interrupted, the product can automatically switch to battery power within 10ms, guaranteeing the normal operation of AC equipment..

UPS connection diagram

As shown in the figure below, the product is connected between the socket and the electrical appliances, and the product's power is ON.



When you turn on electrical equipment, the electrical equipment uses alternating current from the grid directly.

When the mains power is cut off in this state, it will automatically switch to the product's internal battery power supply.

※In UPS mode, the maximum current of Japanese and American regulations is 14A; in UPS mode, the maximum current of Chinese, British, European and Korean regulations is 10A. When the AC output exceeds the maximum current, the UPS icon flashes to indicate overload. , at the same time the AC icon goes out and the output is interrupted.

Solar Charging

This product can both be connected to, and charged by the solar panel.

With a solar panel power of 500W, and at least 2 hours, full charge can be achieved.(Solar panel charging maximum 500W, maximum input voltage 50V)

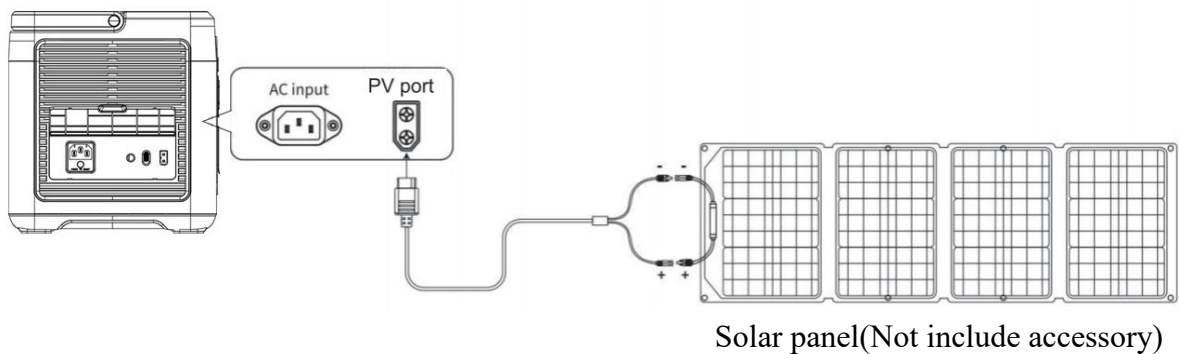
※ The charging power of solar panels is determined according to weather and climate conditions

※ Solar panel voltage over 50V will damage the device and may be out of warranty.

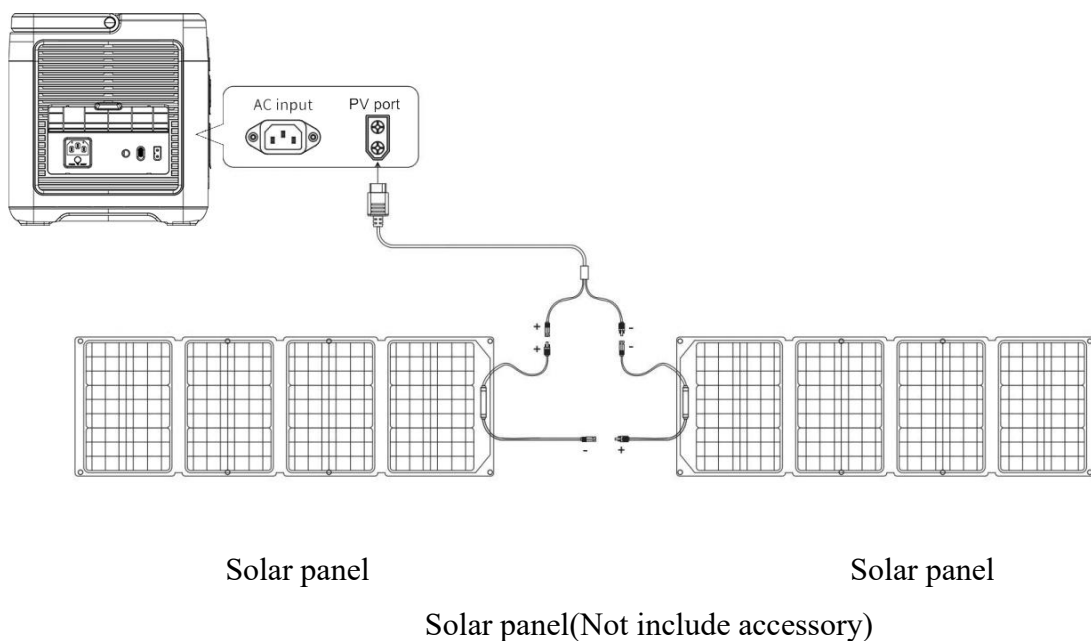
Solar panel connection scheme

* Solar charging

Option 1



Option 2



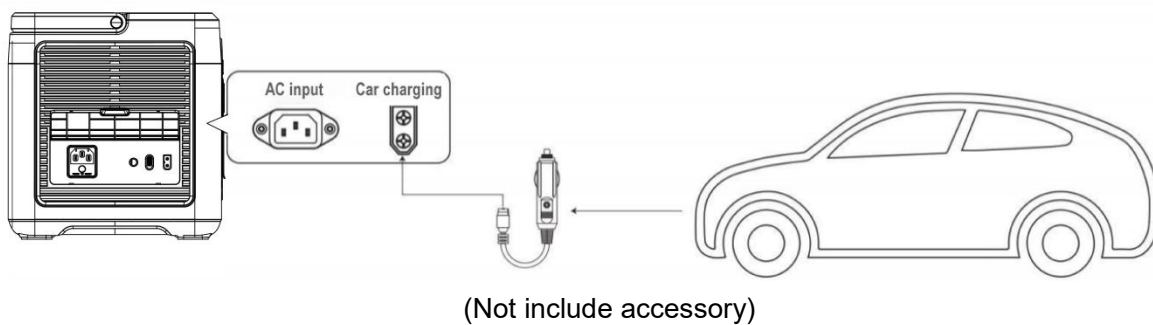
Car charging

This product can be charged by the cigarette lighter (accessory: hereinafter referred to as ACC) in the car by using the ACC charging cable for mobile charging.

Turn the product's power ON, connect the ACC charging cable to the car's cigarette lighter and the XT60 interface on the side of the product, then start the car engine. The LCD screen will display the input power.

※ Onboard charging ought to be done when the car engine is started. Failure to start the engine may cause the car's battery to run out of power.

※ Onboard charging is usually low power of 90-240W and the charging time is long (12V/8A or 24V/10A). If fast charging is required, utility power is advised.



Product Parameters

Product Name	P1000PLUS
Product size	L346*W228*H238mm
Product weight	11.6kg
Battery Capacity	1024WH
AC charge	AC120Vac (USA)Max1200W
PV input	12V-50V , 500W
AC output	120V/1800W, 50/60Hz, pure sine wave
USBQC3.0	(5 - 12V18W)*2
Type-C	(5-12V20W)*1
Type-C	(5 -15V/3.0A;20V/5A 100W)*1
DC5521	(12V/3A) *2
Car charger output	(12V/10A)*1
UPS	120VMAX14A
Charging temperature	0-40°C
Operating temperature	- 10 ~ 40°C
Ambient humidity	<90%RH
Cycle charge	≥4000

ACOPower[®]

✉ sales@acopower.com

🌐 www.acopower.com.cn

☎ +1 (626) 575 7722

📍 4120 Valley Blvd, Walnut, CA 91789, USA

FAQ

1. The load power is within the rated power range of the device but cannot be used normally?

The product has low power and needs to be charged.

The peak power of some specific loads will exceed the rated power several times when starting, causing the equipment to be unable to load normally.

2. Does the product make some noise when used?

When the device is started or used, fans and some inductive devices will operate, resulting in lower sound.

3. Is it normal for the charging cable to get slightly hot during use?

It is normal. When the charging power of the device is high, there will be slight heating during the charging process. The cables and wires have been strictly tested and verified and comply with relevant safety standards.

4. What kind of batteries are used in our devices?

The battery type is lithium iron phosphate battery and complies with relevant safety standards.

5. What devices does the AC output port of the device support?

It supports the use of related equipment with a rated power less than 1800W, and more than 95% of household appliances can be powered by the equipment. Before use, please confirm that the output current of a single interface cannot exceed the rated output current of the AC port.

6. How can I know how long the device has been used?

During product use, you can know the remaining usage time of the product through the display data on the left side of the screen.

7. How to confirm whether the device is charging?

When the device is charging, the screen will display the charging power, the synchronous power display area will scroll in cycles, and the AC or PV charging icon will be displayed accordingly.

8. How should we clean the equipment?

Please use a dry, soft, clean cloth or tissue to wipe the product.

9. How is the device stored?

Please turn off the device and store it in a cool, dry environment. If long-term storage is required, it is recommended to use the remaining power of the device once every three months and then charge it to the required power for storage, such as 50% power.

10. Can we bring products on the plane?

Please consult the relevant policies of the local shipping company.

11. Is the actual capacity of the product the same as the capacity marked in the user manual?

The capacity in the user manual is the rated capacity of the battery pack of this product. Because this product will have a certain efficiency loss during the charging and discharging process. Therefore, the actual output capacity of the product is lower than the capacity specified in the user manual.

12. What is the maximum output power of a single AC interface?

The maximum output power of a single AC interface cannot exceed the product's rated output power.

Maintenance

1. It is recommended to use or store this product in an environment of 20 °C to 30 ° C, away from water, heat, and other metal objects.
2. For safety reasons, please do not store this product in an environment higher than 40 °C or lower than - 10 °C for a long time.
3. If it is not used for a long time, please charge it to 50% before storing. If the battery is left unused for a long time when the battery is seriously insufficient, it will cause irreversible damage to the battery and shorten the cycle life of the product.